



SOUNDWELL®

http://soundwell-cn.com


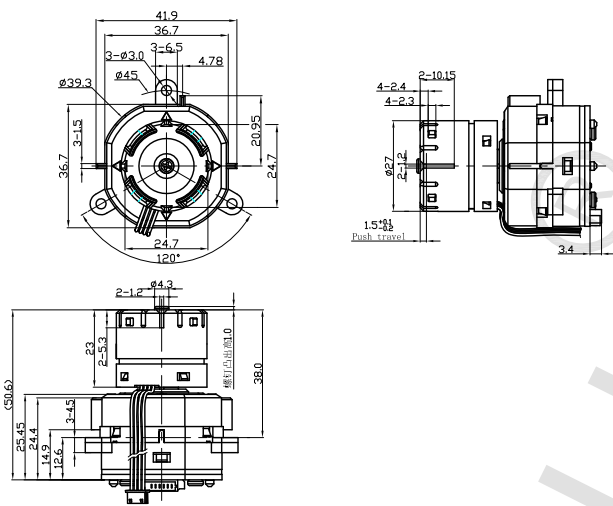
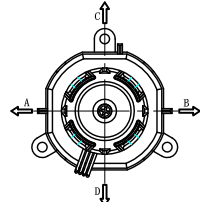
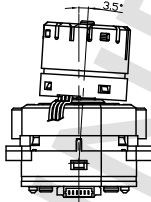
EJ Series MAGNET ENCODER



企业微信，扫码有惊喜



升威官网，发现更多产品

MODEL 品名	DIMENSIONS 尺寸	UNIT:mm
<p>EJ390201X2X-WA1</p> 		
FUNCTION DESCRIPTION		
Rotary Encoder	Total rotational angle: 360° Number and position of detent: 18 detents Number of pulses in 360° rotation: 9 pulses	
Central Push Switch	Push traveling: 1.5 ± 0.3mm	
4-Direction Lateral Push Switch	<p>Lateral push directions: A, B, C, D Lateral push travel: 3.5° towards A/B/C/D directions from the center.</p> <div style="display: flex; justify-content: space-around; align-items: center;"> <div style="text-align: center;">  <p>Definition of the 4-direction lateral push switch</p> </div> <div style="text-align: center;">  <p>Maximum travel of the 4-direction lateral switch: 3.5°</p> </div> </div>	