



SOUNDWELL®

http://soundwell-cn.com

RS12 Series SWITCH



企业微信，扫码有惊喜



升威官网，发现更多产品

MODEL 品名	DIMENSIONS 尺寸	UNIT:mm
----------	---------------	---------

RS1201 G 0 Z -VA X 3/4

SHAFT SHOWN IN FULL C.C.W. POSITION

G	W	H	H	X
A	5	B	10.0	2
B	7	A	12.5	1

RS1204 G 0 Z -VA X 3/4

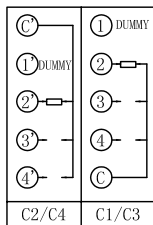
SHAFT SHOWN IN FULL C.C.W. POSITION

G	W	H	H	X
A	5	B	10.0	2
B	7	A	12.5	1

RS12 Circuit Diagram 回路图

RS1201A0 X -VA1-3

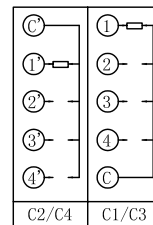
RS1204A0 X -VA1-3



Y=15°

RS1201A0 X -VA1-4

RS1204A0 X -VA1-4



Y=45°

NOTE: "Y" Shaft shown in full C.C.W. Position.
 注明: Y° 为轴心逆时针旋转停止位置。



SOUNDWELL®

http://soundwell-cn.com

RS22 Series SWITCH



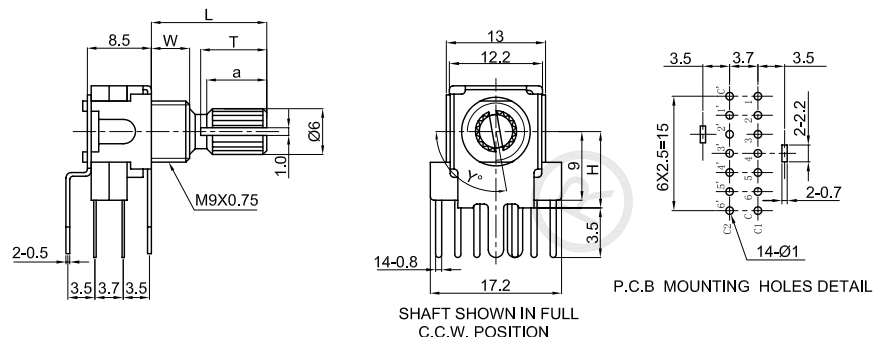
企业微信，扫码有惊喜



升威官网，发现更多产品

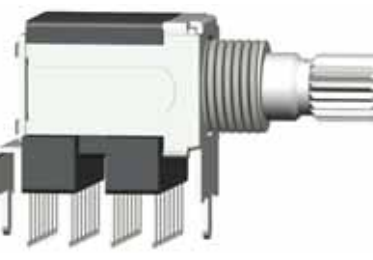
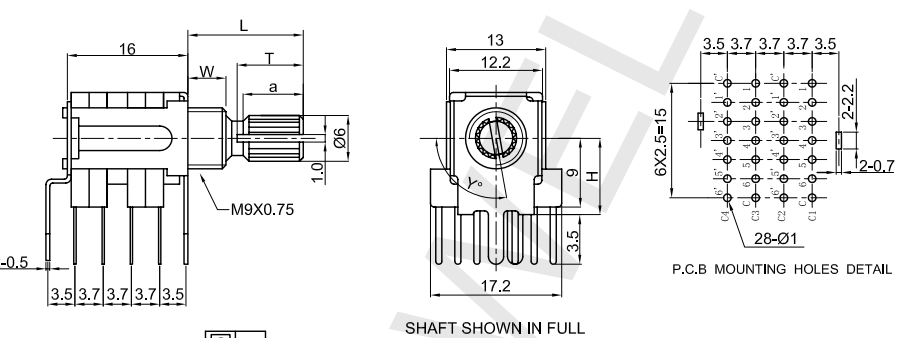
MODEL 品名	DIMENSIONS 尺寸	UNIT:mm
----------	---------------	---------

RS2201 G 0 Z -VA X 5/6

<input type="checkbox"/> G	<input type="checkbox"/> W	<input type="checkbox"/> Z	<input type="checkbox"/> H	<input type="checkbox"/> X
<input type="checkbox"/> A	5	<input type="checkbox"/> B	10.0	2
<input type="checkbox"/> B	7	<input type="checkbox"/> A	12.5	1

RS2204 G 0 Z -VA X 5/6

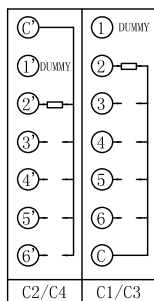



<input type="checkbox"/> G	<input type="checkbox"/> W	<input type="checkbox"/> Z	<input type="checkbox"/> H	<input type="checkbox"/> X
<input type="checkbox"/> A	5	<input type="checkbox"/> B	10.0	2
<input type="checkbox"/> B	7	<input type="checkbox"/> A	12.5	1

RS22 Circuit Diagram 回路图

RS2201A0 X -VA1-5

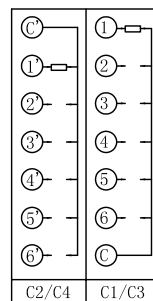
RS2204A0 X -VA1-5



Y=75°

RS2201A0 X -VA1-6

RS2204A0 X -VA1-6



Y=105°

NOTE: "Y" Shaft shown in full C.C.W. Position.
 注明: Y° 为轴心逆时针旋转停止位置。