



SOUNDWELL®

http://soundwell-cn.com

RC08 Series POTENTIOMETER

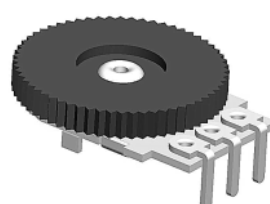
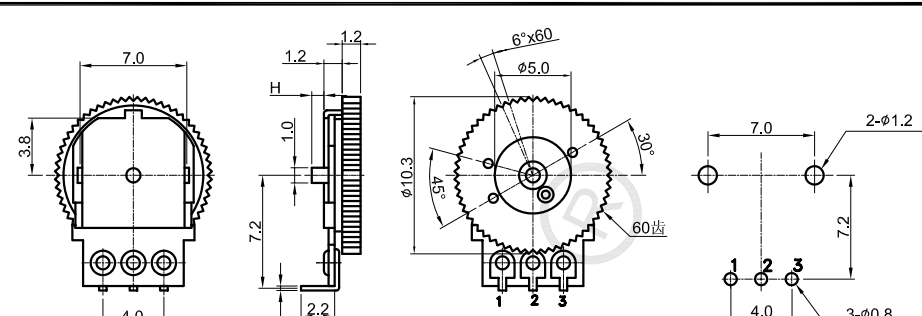


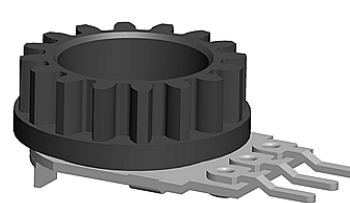
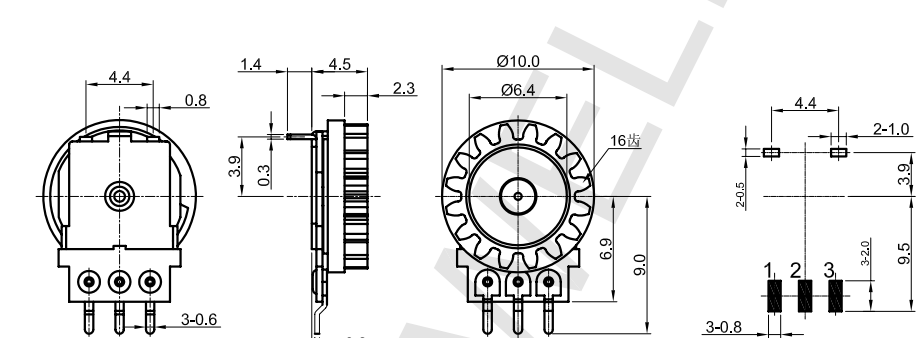
企业微信，扫码有惊喜

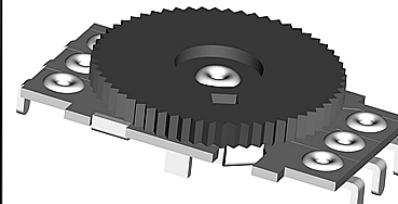
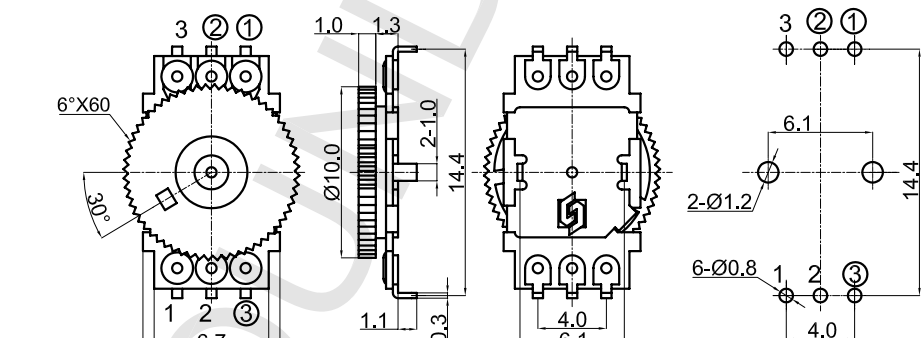


升威官网，发现更多产品

MODEL 品名	DIMENSIONS 尺寸	UNIT:mm
----------	---------------	---------

<p>RC0801GCX0Z-HA1</p> 	 <p>SHAFT SHOWN IN FULL P.C.B. MOUNTING HOLE DETAIL C.C.W. POSITION</p> <table border="1" data-bbox="813 716 957 772"> <tr> <td>Z</td> <td>A</td> <td>B</td> </tr> <tr> <td>H</td> <td>0.8</td> <td>2.5</td> </tr> </table>	Z	A	B	H	0.8	2.5
Z	A	B					
H	0.8	2.5					

<p>RC0801NOX0G-VA1</p> 	 <p>P.C.B MOUNTING DETAIL</p>
---	--

<p>RC0804GOX0F-HA3</p> 	 <p>FULL C.C.W. POSITION</p> <p>P.C.B. MOUNTING HOLE DETAIL</p>
--	---

RC08 SERIES CIRCUIT DIAGRAM

NO	GC	GO
