



SOUNDWELL®

http://soundwell-cn.com

# MD58 Series POTENTIOMETERS



企业微信，扫码有惊喜



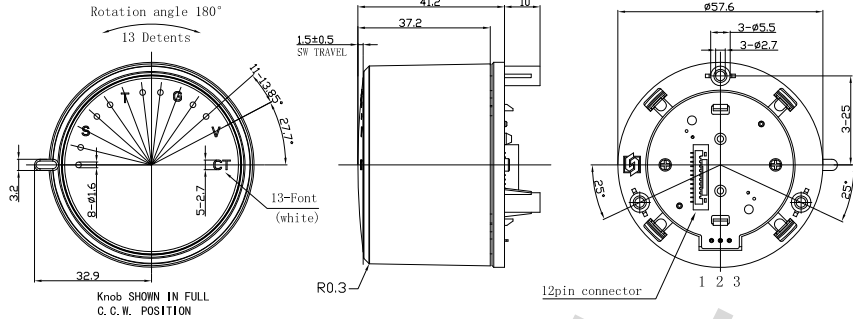
升威官网，发现更多产品

MODEL 品名

DIMENSIONS 尺寸

UNIT:mm

## MD58040104S-C0N



12pin connector define:

Function	Pin
LED signal input	1
VCC (LED)	2
GND (LED)	3
Vibrating motor1 +	4
Vibrating motor1 -	5
Vibrating motor2 +	6
Vibrating motor2 -	7
VR 1	8
VR 2	9
VR 3	10
Push switch K1	11
Push switch K2	12

## MD58 SERIES CIRCUIT DIAGRAM

